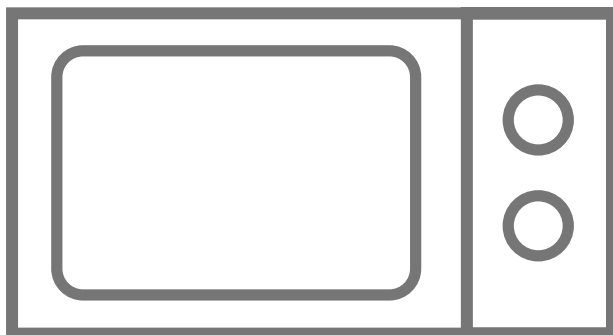


# USER MANUAL



## CONTENTS

|                               |    |
|-------------------------------|----|
| 1. SAFETY INFORMATION .....   | 3  |
| 2. INSTALLATION.....          | 7  |
| 3. PRODUCT DESCRIPTION.....   | 11 |
| 4. OPERATION .....            | 12 |
| 5. HINTS AND TIPS.....        | 15 |
| 6. TROUBLESHOOTING .....      | 17 |
| 7. TECHNICAL INFORMATION..... | 18 |
| 8. ENERGY EFFICIENCY .....    | 18 |
| 9. ENVIRONMENT CONCERNS.....  | 18 |

## WE'RE THINKING OF YOU

Thank you for purchasing an Electrolux appliance. You've chosen a product that brings with it decades of professional experience and innovation. Ingenious and stylish, it has been designed with you in mind. So whenever you use it, you can be safe in the knowledge that you'll get great results every time. Welcome to Electrolux.

### Visit our website for:



Get usage advice, brochures, trouble shooter, service information:  
**[www.electrolux.com](http://www.electrolux.com)**



Register your product for better service:  
**[www.electrolux.com/productregistration](http://www.electrolux.com/productregistration)**



Buy Accessories, Consumables and Original spare parts for your appliance:  
**[www.electrolux.com/shop](http://www.electrolux.com/shop)**

## CUSTOMER CARE AND SERVICE

We recommend the use of original spare parts.

When contacting Service, ensure that you have the following data available.

The information can be found on the rating plate. Model, PNC, Serial Number.

 Warning/Caution-Safety information

 General information and tips

 Environmental information

Subject to change without notice.

# 1. SAFETY INFORMATION

This appliance can be used by children aged from 8 years and above and persons with reduced physical, sensory or mental capabilities or lack of experience and knowledge if they have been given supervision or instruction concerning use of the appliance in a safe way and understand the hazards involved. Children should be supervised to ensure that they do not play with the appliance. Cleaning and user maintenance shall not be made by children unless they are aged from 8 years and above and supervised.

This appliance is not intended for use at altitudes above 2000m.



**IMPORTANT! IMPORTANT SAFETY INSTRUCTIONS: READ CAREFULLY AND KEEP FOR FUTURE REFERENCE.**



**WARNING!**

Do not use the appliance without the turntable and turntable support. Do not use the appliance when empty.



**WARNING!**

If the door or door seals are damaged, the oven must not be operated until it has been repaired by a competent person.



**WARNING!**

It is hazardous for anyone other than a competent person to carry out any service or repair operation that involves the removal of a cover which gives protection against exposure to microwave energy.



**WARNING!**

Liquids and other foods must not be heated in sealed containers since they are liable to explode.

This appliance is intended to be used in household and similar applications such as: staff kitchen areas in shops, offices and other working environments; farm houses; by clients in hotels, motels and other residential environments; bed and breakfast type environments.

Only use microwave-safe containers and utensils.

Metallic containers for food and beverages are not allowed during microwave cooking.

Do not leave the oven unattended when using disposable plastic, paper or other combustible food containers.

The microwave oven is intended for heating food and beverages. Drying of food or clothing and heating of warming pads, slippers, sponges, damp cloth and similar may lead to risk of injury, ignition or fire.

If food being heated begins to smoke, DO NOT OPEN THE DOOR. Turn off and unplug the oven and wait until the food has stopped smoking. Opening the door while food is smoking may cause a fire.

Microwave heating of beverages can result in delayed eruptive boiling, therefore care has to be taken when handling the container.

The contents of feeding bottles and baby food jars shall be stirred or shaken and the temperature checked before consumption, in order to avoid burns.

Do not cook eggs in their shells and whole hard boiled eggs should not be heated in microwave ovens since they may explode even after microwave cooking has ended.

If the supply cord is damaged it must be replaced by the manufacturer, its service agent or similarly qualified persons in order to avoid a hazard.

## 1.1 Care and cleaning

### Door:

To remove all trace of dirt, regularly clean both sides of the door, the door seals and sealing surfaces with a soft, damp cloth. Do not use harsh abrasive cleaners or sharp metal scrapers to clean the oven door glass since they can scratch the surface, which may result in shattering of the glass.

### Oven interior:

For cleaning, wipe any splatters or spills with a soft damp cloth or sponge after each use while the oven is still warm. For heavier spills, use a mild soap and wipe several times with a damp cloth until all residues are removed. Do not remove the waveguide cover. Make sure that mild soap or water does not penetrate the small vents in the walls which may cause damage to the oven. Do not use spray type cleaners on the oven interior. Heat up your oven regularly by using the grill. Remaining food or fat splashed can cause smoke or a bad smell. Clean the waveguide cover, the oven cavity, the turntable and turntable support after use. These must be dry and free from grease. Built-up grease may overheat and begin to smoke or catch fire.

### Oven exterior:

The outside of your oven can be cleaned easily with mild soap and water. Make sure the soap is wiped off with a moist cloth, and dry the exterior with a soft towel.

### Control panel:

Open the door before cleaning to de-activate the control panel. Care should be taken when cleaning the control panel. Using a cloth dampened with water only, gently wipe the panel until it becomes clean. Avoid using excessive amounts of water. Do not use any sort of chemical or abrasive cleaner.

Turntable and turntable support:

Remove the turntable and turntable support from the oven. Wash the turntable and turntable support in mild soapy water. Dry with a soft cloth. Both the turntable and the turntable support are dishwasher safe.

Rack:

This should be washed in a mild washing up liquid solution and dried. The rack is dishwasher safe.



**IMPORTANT!**

Clean the oven at regular intervals and remove any food deposits. Failure to maintain the oven in a clean condition could lead to a deterioration of the surface that could adversely affect the life of the appliance and possibly result in a hazardous situation.

Care should be taken not to displace the turntable when removing containers from the appliance.



**IMPORTANT!**

A steam cleaner should not be used.

The microwave oven is intended to be used built-in.

The appliance must not be placed in a cabinet.

The appliance and its accessible parts become hot during use. Care should be taken to avoid touching heating elements.



**WARNING!**

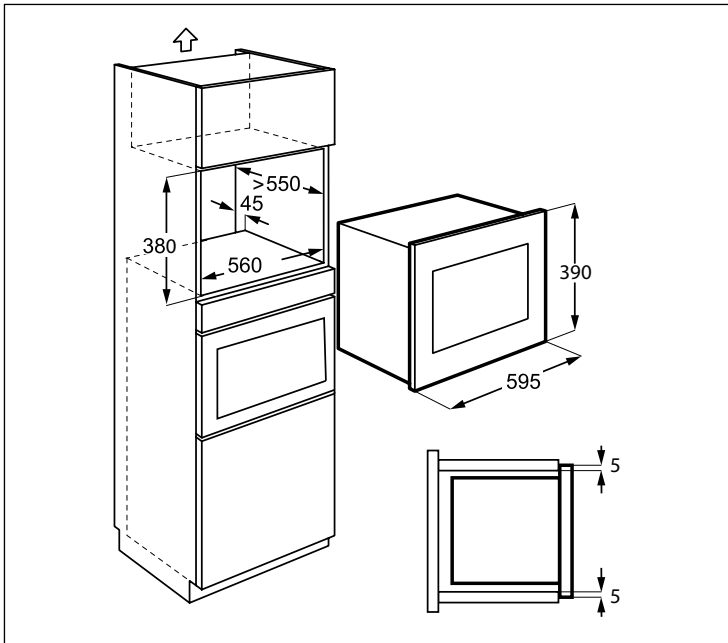
Keep children away from the door and accessible parts that may become hot when the grill is in use. Children should be kept away to prevent them burning themselves.



**IMPORTANT!**

Do not use commercial oven cleaners, steam cleaners, abrasive, harsh cleaners, any that contain sodium hydroxide or scouring pads on any part of your microwave oven.

## 2. INSTALLATION



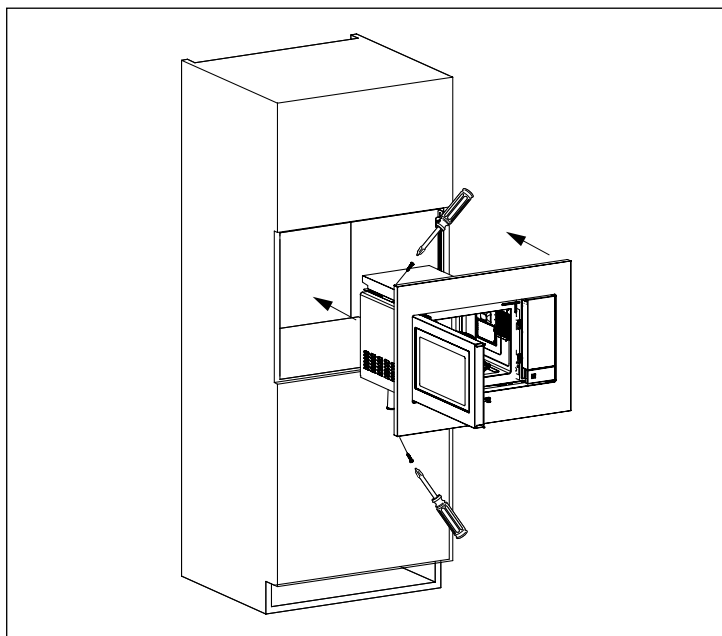
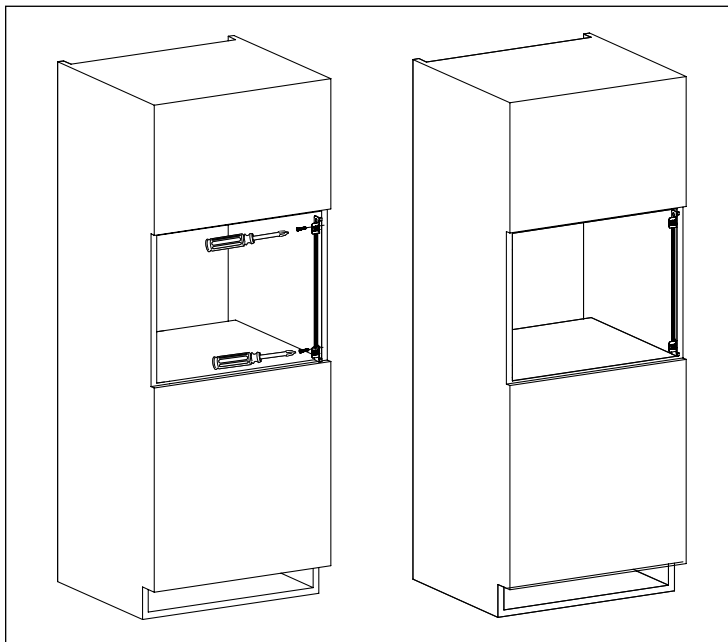
### 2.1 Installing the appliance

1. Remove all packaging and check carefully for any signs of damage.
2. Fit the fixing bracket to the right hand side of the kitchen cupboard using the installation sheet and two screws supplied.
3. Fit the appliance into the kitchen cupboard slowly and without force until it clips into the brackets. Ensure the appliance is stable and centralised.
4. Fix the oven on the left hand side using the two screws supplied.
5. The front frame of the appliance should seal against the front opening of the cupboard.

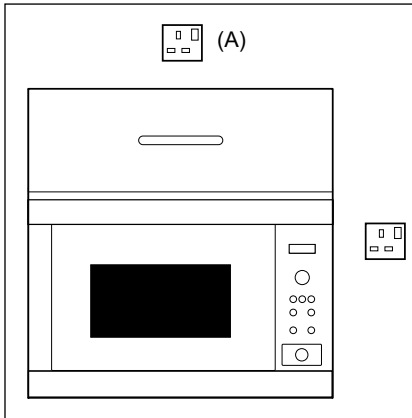


#### **IMPORTANT!**

Do not install this appliance in kitchen cupboards without the specified 45mm rear chimney. Inadequate ventilation could adversely affect the performance and life of the appliance.



## 2.2 Connecting the appliance to the power supply



- The electrical outlet should be readily accessible so that the unit can be unplugged easily in an emergency. Or it should be possible to isolate the oven from the supply by incorporating a switch in the fixed wiring in accordance with the wiring rules.
- The power supply cord may only be replaced by an electrician.
- If the supply cord is damaged it must be replaced by the manufacturer, its service agent or similarly qualified persons in order to avoid a hazard.
- The socket should not be positioned behind the cupboard.
- The best position is above the cupboard, see (A).
- Connect the appliance to a single phase 220-240 V/50 Hz alternating current via a correctly rated earth socket.
- If the appliance is to be operated in a non-European country, the supply voltage, current type and frequency of the appliance indicated on the rating plate must correspond with the specification of your power supply. The rating plate can be found on the inside face of the control panel.
- Before installing, tie a piece of string to the power supply cord to facilitate connection to point (A) when the appliance is being installed.
- When inserting the appliance into the high-sided cupboard, DO NOT crush the power supply cord.
- Do not immerse the power supply cord or plug in water or any other liquid.
- Do not allow the power supply cord to run over any hot or sharp surfaces, such as the hot air vent area at the top rear of the oven.

## 2.3 Additional advice

Do not use the microwave oven to heat oil for deep frying. The temperature cannot be controlled and the oil may catch fire. To make popcorn, only use special microwave popcorn makers.

Individuals with PACEMAKERS should check with their doctor or the manufacturer of the pacemaker for precautions regarding microwave ovens.

Never spill or insert any objects into the door lock openings or ventilation openings. In the event of a spill, turn off and unplug the oven immediately and call an authorised ELECTROLUX service agent.

Never modify the oven in any way.

Only use the turntable and the turntable support designed for this oven. Do not operate the oven without the turntable.

To prevent the turntable from breaking:

- Before cleaning the turntable with water, leave the turntable to cool.
- Do not put hot foods or hot utensils on a cold turntable.
- Do not put cold foods or cold utensils on a hot turntable.

Do not use plastic containers for microwaving if the oven is still hot from using the GRILL mode because they may melt. Plastic containers must not be used during above modes unless the container manufacturer says they are suitable.

Neither the manufacturer nor the dealer can accept any liability for damage to the oven or personal injury resulting from failure to observe the correct electrical connection procedure. Water vapour or drops may occasionally form on the oven walls or around the door seals and sealing surfaces. This is a normal occurrence and is not an indication of microwave leakage or a malfunction.

Concerning the lamp(s) inside this product and spare part lamps sold separately: These lamps are intended to withstand extreme physical conditions in household appliances, such as temperature, vibration, humidity, or are intended to signal information about the operational status of the appliance. They are not intended to be used in other applications and are not suitable for household room illumination.

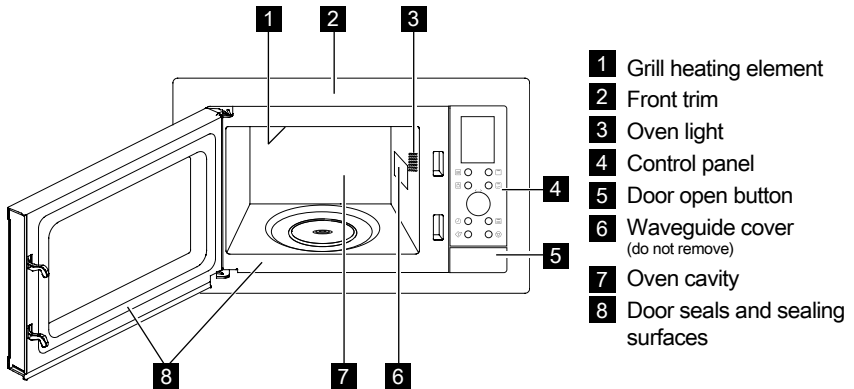


### **WARNING!**

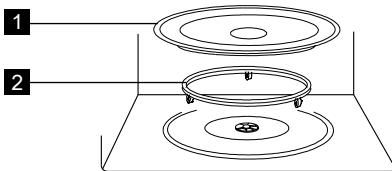
After GRILL mode the oven cavity, door, oven cabinet and accessories will become very hot. Before cleaning, make sure they are completely cool.

## 3. PRODUCT DESCRIPTION

### 3.1 Microwave oven



### 3.2 Accessories



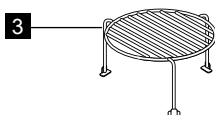
Check to make sure the following accessories are provided:

- 1 Turntable
- 2 Turntable support
- Place the turntable support on the floor of the cavity.
- Then place the turntable on the turntable support.
- To avoid turntable damage, ensure dishes or containers are lifted clear of the turntable rim when removing them from the oven.

**i** Always use the turntable parts when operating the microwave oven.

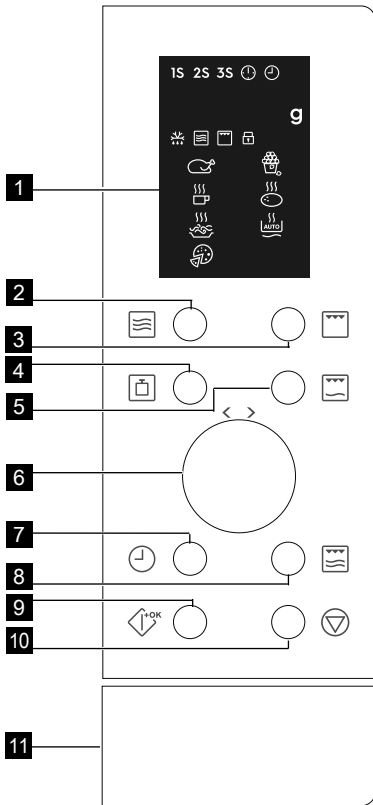


Use these parts for Grill cooking only.



**i** When you order accessories, please mention two items: part name and model name to your dealer or an authorised ELECTROLUX service agent.

### 3.3 Control panel



1 Digital display indicators:

1S 2S 3S Multi stage cooking



Clock set



Clock setting



Weight



Auto Defrost



Microwave



Grill



Child safety lock



Chicken



Beverages



Spaghetti



Pizza



Popcorn



Potato



Auto Reheat

2 Power level button

3 Grill button

4 Weight button

5 Combi. 1 button

6 Time/menu knob

7 Clock button

8 Combi. 2 button

9 Start/quick start button

10 Stop/cancel button

11 Door open button

## 4. OPERATION

### 4.1 Setting the clock

When the oven is plugged in for the first time you can have the option of setting the clock. The oven has a 12 and 24 hour clock.

**Example:** To set the clock.

1. Press the **CLOCK** button once.
2. Rotate the **TIME/MENU** knob to adjust the hour.

3. Press the **CLOCK** button to confirm.
4. Rotate the **TIME/MENU** knob to adjust the minutes.
5. Press the **CLOCK** button to confirm.




During cooking, you can press the **CLOCK** button to check the time of day.

## 4.2 Microwave cooking

Microwave cooking allows you to customize the cooking power and time. Maximum cooking time is 95 minutes.

**Example:** To cook for 5 minutes at 60 % power level.

1. Open the oven door and place the food inside. Close the door.
2. Press the **POWER LEVEL** button 3 times.
3. Rotate the **TIME/MENU** knob to enter the cooking time.
4. Press the **START/QUICK START** button.

 To check the microwave power level during cooking press the **POWER LEVEL** button. The power level default is 100 %.

At the end of cooking, the system will beep and End is displayed. Before starting another cooking session, press any key to clear the display and reset the system. Power levels that are too high or cooking times that are too long may overheat foods resulting in a fire.

| Power Level Button | Power Level  |
|--------------------|--------------|
| x 1                | 100 % (P100) |
| x 2                | 80 % (P-80)  |
| x 3                | 60 % (P-60)  |
| x 4                | 40 % (P-40)  |
| x 5                | 20 % (P-20)  |
| x 6                | 0 % (P-00)   |

## 4.3 Grill

Grill cooking is particularly useful for thin slices of meat, steaks, chops, kebabs, sausages and pieces of chicken. It is also suitable for hot sandwiches and au gratin dishes. Maximum cooking time is 95 minutes.

**Example:** To grill for 12 minutes.

1. Open the oven door and place the food inside. Close the door.
2. Press the **GRILL** button once.
3. Rotate the **TIME/MENU** knob to enter the cooking time.
4. Press the **START/QUICK START** button.



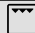


**IMPORTANT!** The rack is recommended for grilling.

## 4.4 Combi cooking

Combi cooking combines the microwave and the grill functions at different time periods during cooking. Maximum cooking time is 30 minutes.

**Example:** To set Combi. 1 cooking for 25 minutes.

1. Open the oven door and place the food inside. Close the door.
2. Press the **COMBI. 1** button once.
3. Rotate the **TIME/MENU** knob to enter the cooking time.
4. Press the **START/QUICK START** button.

| Description | Icon  | Suitable for                       |
|-------------|---|------------------------------------|
| Grill       |  | Browning food                      |
| Combi. 1    |  | Fish, potatoes, au gratin          |
| Combi. 2    |  | Pudding, omelettes, baked potatoes |

## 4.5 Quick start

You can directly start cooking on 100 % for 30 seconds by pressing the **START/QUICK START** button.




To add more time press the **START/QUICK START** button.

## 4.6 Auto cook

Auto cook automatically works out the correct cooking mode and cooking time. You can choose from 8 menus.

| Auto Cook | Food                       | Cooking Mode      |
|-----------|----------------------------|-------------------|
| A - 01    | Chicken<br>800 - 1400 g    | Micro. +<br>Grill |
| A - 02    | Popcorn<br>99 g            | Micro.            |
| A - 03    | Milk/Coffee<br>1 - 3 cups  | Micro.            |
| A - 04    | Baked Potato<br>1 - 3 pcs  | Micro.            |
| A - 05    | Spaghetti<br>100 - 300 g   | Micro.            |
| A - 06    | Auto Reheat<br>200 - 800 g | Micro.            |
| A - 07    | Pizza<br>150 - 450 g       | Micro. +<br>Grill |
| A - 08    | Auto Defrost               | Micro.            |

1. Open the oven door and place the food inside. Close the door.
2. Rotate the **TIME/MENU** knob anti-clockwise to select the food.
3. Press the **WEIGHT** button to select amount or weight.
4. Press the **START/QUICK START** button.


 Turn the chicken 2 to 3 times during cooking, close the oven door and press the **START/QUICK START** button to resume cooking.

## 4.7 Auto defrost

Auto defrost automatically works out the correct cooking mode for defrosting food.

**Example:** To defrost frozen food for 10 minutes.

1. Open the oven door and place the food inside. Close the door.
2. Rotate the **TIME/MENU** knob anti-clockwise until it shows A-08.
3. Press the **WEIGHT** button to select amount or weight.
4. Press the **START/QUICK START** button.

 Turn the chicken 2 to 3 times during defrosting, close the oven door and press the **START/QUICK START** button to resume cooking.

## 4.8 Multi-stage cooking


A sequence of 3 stages (maximum) can be programmed.

**Example:** To cook:

Stage 1: 2 minutes 30 seconds at 40 %

Stage 2: 5 minutes grill

1. Open the oven door and place the food inside. Close the door.
2. Press the **POWER LEVEL** button 4 times.
3. Rotate the **TIME/MENU** knob to enter the cooking time.
4. Press the **GRILL** button once.
5. Rotate the **TIME/MENU** knob to enter the cooking time.
6. Press the **START/QUICK START** button.

 Auto Cook, Auto Defrost, and Quick Start cannot be set as a multi-stage cooking program.


## 4.9 Child safety lock

The child proof lock prevents unsupervised operation by children. The child safety lock is automatically enabled after 1 minute of no operation by the user. To cancel open the door.

## 4.10 Pause

To pause whilst the microwave is running.

1. Press the **STOP/CANCEL** button once to enter pause mode during cooking.
2. Press the **START/QUICK START** button to continue cooking.


 The oven will stop operating when the door is opened.

## 5. HINTS AND TIPS

### 5.1 Microwave safe cookware

| Cookware   | Microwave safe | Comments   |
|--|----------------|--|
| Aluminium foil/containers                        | ✓ / ✗          | Small pieces of aluminium foil can be used to shield food from overheating. Keep foil at least 2 cm from the oven walls, as arcing may occur. Foil containers are not recommended unless specified by the manufacturer. Follow instructions carefully. |
| China and ceramics                               | ✓ / ✗          | Porcelain, pottery, glazed earthenware and bone china are usually suitable, except for those with metallic decoration.   |
| Glassware<br>e.g. Pyrex®                         | ✓              | Care should be taken if using fine glassware as it can break or crack if heated suddenly.  |
| Metal  | ✗              | It is not recommended to use metal cookware when using microwave power as it will arc, which can lead to fire.   |
| Plastic/polystyrene<br>e.g. fast food containers | ✓              | Care must be taken as some containers warp, melt or discolour at high temperatures.  |
| Freezer/roasting bags                            | ✓              | Must be pierced to let steam escape. Ensure bags are suitable for microwave use. Do not use plastic or metal ties, as they may melt or catch fire due to the metal arcing.   |
| Paper-plates, cups and kitchen paper             | ✓              | Only use for warming or to absorb moisture. Care must be taken as overheating may cause fire.  |
| Straw and wooden containers                      | ✓              | Always attend the oven when using these materials as overheating may cause fire.   |
| Recycled paper and newspaper                     | ✗              | May contain extracts of metal which will cause arcing and may lead to fire.  |

## 5.2 Microwave cooking advice

| Microwave cooking advice |   |
|--------------------------|---|
| Composition              | Foods high in fat or sugar (e.g. Christmas pudding, mince pies) require less heating time. Care should be taken as overheating can lead to fire.  |
| Size                     | For even cooking make all the pieces the same size.   |
| Temperature of food      | The initial temperature of food affects the amount of cooking time needed. Cut into foods with fillings (e.g. jam doughnuts) to release heat or steam.  |
| Arrange                  | Place the thickest parts of food towards the outside of the dish (e.g. chicken drumsticks).   |
| Cover                    | Use vented microwave cling film or a suitable lid.  |
| Pierce                   | Foods with a shell, skin or membrane must be pierced in several places before cooking or reheating as steam will build up and may cause food to explode (e.g. potatoes, fish, chicken, sausages).<br> <b>IMPORTANT!</b> Eggs should not be heated using microwave power as they may explode, even after cooking has ended (e.g. poached, hard boiled). |
| Stir, turn and rearrange | For even cooking it is essential to stir, turn and rearrange food during cooking. Always stir and rearrange from the outside towards the centre.  |
| Stand                    | Standing time is necessary after cooking to enable the heat to disperse equally throughout the food.  |
| Shield                   | Warm areas can be shielded with small pieces of foil, which reflect microwaves (e.g. legs and wings on a chicken).  |



Use pot holders or oven gloves when removing food from the oven to prevent burns. Always open containers, popcorn makers, oven cooking bags, etc., away from the face and hands to avoid steam burns.

Always stand back from the oven door when opening to avoid burns from escaping steam and heat. Slice stuffed baked foods after heating to release steam and avoid burns.

## 6. TROUBLESHOOTING

| Problem   | Check if . . .  |
|---|---|
| The microwave appliance is not working properly?                | <ul style="list-style-type: none"> <li>• The fuses in the fuse box are working.</li> <li>• There has not been a power outage.</li> <li>• If the fuses continue to blow, please contact a qualified electrician.</li> </ul>  |
| The microwave mode is not working?                              | <ul style="list-style-type: none"> <li>• The door is properly closed.</li> <li>• The door seals and their surfaces are clean.</li> <li>• The <b>START</b> key has been pressed.</li> </ul>  |
| The turntable is not turning?                                   | <ul style="list-style-type: none"> <li>• The turntable support is correctly connected to the drive.</li> <li>• The ovenware does not extend beyond the turntable.</li> <li>• Food does not extend beyond the edge of the turntable preventing it from rotating.</li> <li>• There is nothing in the well beneath the turntable.</li> </ul> |
| The microwave will not switch off?                              | <ul style="list-style-type: none"> <li>• Isolate the appliance from the fuse box.</li> <li>• Call an authorised ELECTROLUX service agent.</li> </ul>  |
| The interior light is not working?                              | <ul style="list-style-type: none"> <li>• Call your authorised ELECTROLUX service agent. The interior light can be exchanged only by a trained authorised ELECTROLUX service agent.</li> </ul>   |
| The food is taking longer to heat through and cook than before? | <ul style="list-style-type: none"> <li>• Set a longer cooking time (double quantity = nearly double time) or</li> <li>• If the food is colder than usual, rotate or turn from time to time or</li> <li>• Set a higher power setting.</li> </ul>   |



If the oven operates in any mode for 2 minutes or longer, the fan will stay on for 3 minutes after the cooking ends.

## 7. TECHNICAL INFORMATION

|                     |           |  |
|---------------------|-----------|--|
| AC Line Voltage     |           | 230-240 V, 50 Hz, single phase                     |
| AC Power required:  | Microwave | 1.400 kW   |
|                     | Grill     | 1.000 kW   |
| Output power:       | Microwave | 900 W (IEC 60705)                                  |
|                     | Grill     | 1000 W   |
| Microwave Frequency |           | 2450 MHz <sup>1)</sup> (Group 2/Class B)           |
| Outside Dimensions: | MSE2527DM | 595 mm (W) 390 mm (H) 378 mm (D)                   |
| Cavity Dimensions   |           | 340 mm (W) x 220 mm (H) x 364 mm (D) <sup>2)</sup> |
| Oven Capacity       |           | 25 litres <sup>2)</sup>                            |
| Turntable           |           | ø 270 mm, glass                                    |
| Weight              |           | approx. 15.7 kg                                    |


- 1) This Product fulfils the requirement of the European standard EN55011. In conformity with this standard, this product is classified as group 2 class B equipment. Group 2 means that the equipment intentionally generates radio-frequency energy in the form of electromagnetic radiation for the heat treatment of food. Class B equipment means that the equipment is suitable to be used in domestic establishments.
- 2) Internal capacity is calculated by measuring maximum width, depth and height. Actual capacity for holding food is less.

## 8. ENERGY EFFICIENCY

### Product information for power consumption and maximum time to reach applicable low power mode

|  |       |
|--|-------|
| Power consumption in standby with display on   | 0.8 W |
| Power consumption in standby with display off  | 0.5 W |
| Maximum time needed for the equipment to automatically reach the applicable low power mode | 5 min |

## 9. ENVIRONMENT CONCERNS

Recycle materials with the symbol . Put the packaging in applicable containers to recycle it.

Help protect the environment and human health and recycle waste electrical and electronic appliances.



Do not dispose of appliances marked with the symbol with household waste. Return the product to your local recycling facility or contact your municipal office.



www.aeg.com/shop



TINS-B565URR2



**AEG**